

LT SERIES TIPS

FOR PCC, WP80, WSP80, FE75, MPR80 SOLDERING IRON.

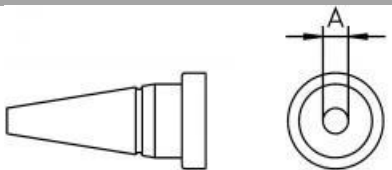
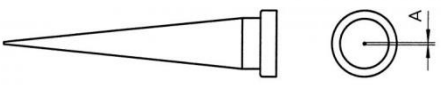
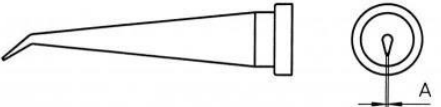
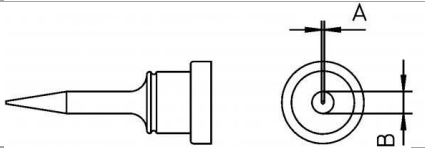
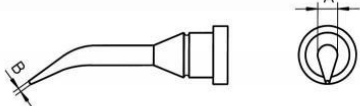
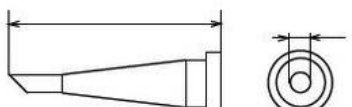
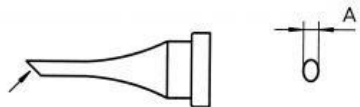
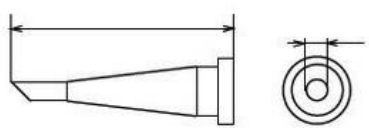
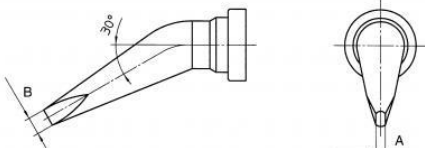
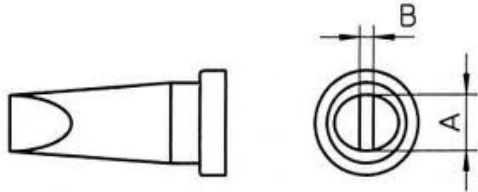
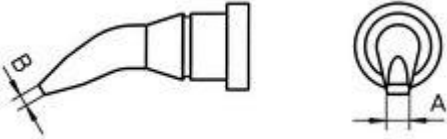
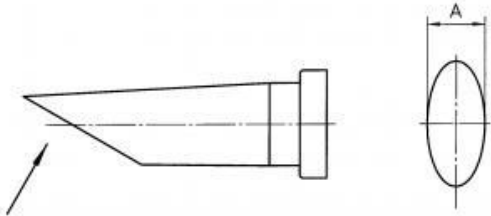
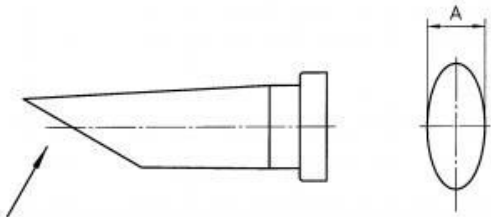
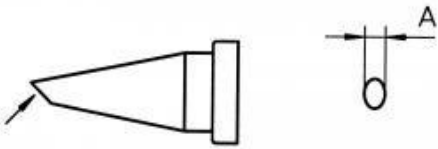
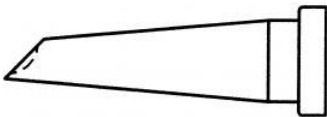
IMAGE	Weller Code	P/N	A (mm)	B (mm)	L (mm)
	T0054443599	LT1, 0.25mm	Φ0.25		14.0
	T0054447100	LTAS LF , 1.6mm	Φ1.6		13.5
	T0054447400	LTCS LF round , 3.2mm	Φ3.2		13.5
	T0054441100	LTCS , 3.2mm	Φ3.2		13.5
	T0054442399	LT1L Conical	Φ0.2		26.4
	T0054449421	LT1L Conical	Φ0.5		26.4
	T0054440699	LTS 0.4mm	Φ0.4		21
	T0054448200	LTT 0.6mm	Φ0.6		13
	T0054442499	LT1LX Conical Bent	Φ0.2		26.4
	T0054443699	LT1S Thin Round, 0.2mm	Φ0.2		15
	T0054442699	LT1SLX Thin round bent , 0.4mm	Φ2.0	Φ0.4	20.5
	T0054440872	LT22CP K1117D	Φ2.0		20
	T0054440876	LT33CP SK1117E	Φ3.0		20
	T0054442100	LT4 Thin Round, 45° gradient	Φ1.2		15
	T0054439009	LT4CP thin round, orthodrome interim	Φ1.2		15
	T0054440878	LT44CP SK1117C			
	T0054442800	LT4X 1.2mm	Φ1.2	0.4	16.5

IMAGE	Weller Code	P/N	A (mm)	B (mm)	L (mm)
	T0054447000	LTA LF chisel , 1.6mm	Φ1.6	0.7	13.5
	T0054440300	LTA , 1.6mm	1.6	0.7	13.5
	T0054443799	LTH 0.6mm	0.8	0.4	13.5
	T0054444600	LTB LF Chisel, 2.4mm	2.4	0.8	13.5
	T0054440500	LTB chisel 2.4mm	2.4	0.8	13.5
	T0054444700	LTC LF Chisel, 4.6mm	3.2	0.8	13.5
	T0054440900	LTD Chisel, 4.6mm	4.6	0.8	13.5
	T0054442599	LT1X , Thin round 30° bent, 0.4mm	Φ0.4		12.5
	T0054448000	LTAX LF 3.2mm	Φ1.6	0.8	13.5
	T0054446900	LTMX 3.2mm	Φ3.2	0.8	19.3
	T0054448400	LTBB 45° , 2.4mm	2.4	4.0	18
	T0054447200	LTBB LF 60° , 2.4mm	2.4	4.0	18
	T0054448500	LTCC 45° , 3.2mm	3.2	6.0	18
	T0054439011	LTCC 60° With groove	3.2	6.0	18
	T0054447300	LTCC LF 60° 3.2mm	3.2	6.0	18
	T0054444500	LTCC 60° 3.2mm	3.2	6.0	18
	T0054447800	LTDD 45° 4.0mm	4.6	6.0	20
	T0054439008	LTF LF 45° gradient, 1.2mm, CN	Φ1.2		13.5
	T0054439007	LTF 1.0mm	Φ1.0		13.5
	T0054440800	LTF 1.2mm	Φ1.2		13.5
	T0054447501	LTW KR	Φ2.3	Φ3.2	18.8
	T0054447500	LTGW LF 2.0mm	Φ2.0	Φ3.2	18.8
	T0054444399	LTALX 1.6mm	1.6	0.7	18

	T0054442099	LTHX 0.8mm	0.8	0.4	18
	T0054444299	LTBX 2.4mm	2.4	0.8	18
	T0054447901	LTKN LF, 2.0mm	6.2		16.5
	T0054447900	LTKN 2.0mm	6.2		16.5
	T0054439002	LTKNS LF, 1.2mm, CN	6.2		12.5
	T0054439001	LTKNS 1.0mm, KOR	6.2		12.5
	T0054441300	LTK 1.2mm	1.2	0.4	21
	T005444760°	LTL LF 2.0mm	2.0	1.0	21
	T0054441400	LTL 2.0mm	2.0	1.0	21
	T0054441598	LTM 4.0D	4.0	1.2	21
	T0054447700	LTM LF 3.2mm	3.2	1.2	21
	T0054441500	LTM 3.2mm	3.2	1.2	21
	T0054441300	LTK LF LTK	1.2	0.4	21
	T0054439006	LT20 LF 2.0mm, round, CN	Φ2.0		
	T0054448100	LTO 0.8mm	Φ0.8		17
	T0054449200	LTO 1.0mm	Φ1.0		17
	T0054449300	LTO 1.4mm	Φ1.4		17
		LTO 2.0mm	Φ2.0		17
	T0054439004	LTP LF 1.0mm, CN	Φ1.4		12.5
	T0054439024	LTY 3.2mm, 1.2mm U-shaped tip, CN	1.2		
	T0054439025	LTY 4.2mm, 1.6mm U-shaped tip, CN	1.6		

ET SERIES TIPS

ET SERIES TIPS FOR PES50/51 AND EC1201 SERIES
SOLDERING PENCILS - TINNED WITH LEAD FREE SOLDER

THE WELLER ADVANTAGE:

The sensor hole in the base of the tip is fitted with a stainless steel liner to prevent the tip from seizing to the sensor.

SCREWDRIVER		A		B		C	
Model	IN.	MM	IN.	MM	IN.	MM	MM
ETA*	0.062	1.60	0.032	0.81	0.625	15.90	
ETB*	0.093	2.40	0.020	0.51	0.625	15.90	
ETC*	0.125	3.20	0.027	0.69	0.625	15.90	
ETD	0.187	4.80	0.035	0.89	0.625	15.90	
ETH	0.031	0.80	0.019	0.48	0.625	15.90	

LONG SCREWDRIVER		A		B		C	
Model	IN.	MM	IN.	MM	IN.	MM	MM
ETJ	0.031	0.80	0.012	0.30	1.000	25.40	
ETK*	0.046	1.20	0.026	0.66	1.000	25.40	
ETL	0.078	2.00	0.027	0.69	1.000	25.40	
ETM	0.125	3.20	0.037	0.94	1.000	25.40	

NARROW SCREWDRIVER		A		B		C	
Model	IN.	MM	IN.	MM	IN.	MM	MM
ETR	0.062	1.60	0.044	1.12	0.625	15.90	

CONICAL		A		B		C	
Model	IN.	MM	IN.	MM	IN.	MM	MM
ETP*	0.031	0.80	0.012	0.30	0.625	15.90	
ETT	0.024	0.60	0.036	0.91	0.625	15.90	

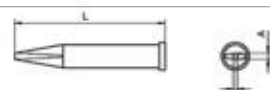
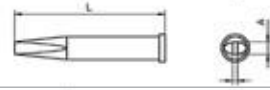





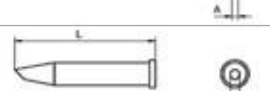
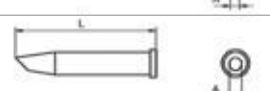
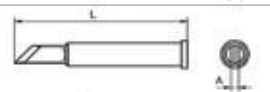
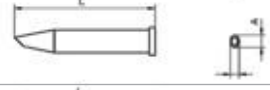







LONG CONICAL		A		B		C	
Model	IN.	MM	IN.	MM	IN.	MM	MM
ETO*	0.031	0.80	0.044	1.12	1.000	25.40	
ETS*	0.015	0.40	--	--	1.000	25.40	

SINGLE FLAT		A		B		C	
Model	IN.	MM	IN.	MM	IN.	MM	MM
ETAA	0.062	1.60	0.040	1.02	0.625	15.90	
ETBB	0.093	2.40	0.032	0.81	0.625	15.90	
ETCC	0.125	3.20	0.032	0.81	0.625	15.90	
ETDD	0.187	4.80	0.032	0.81	0.625	15.90	
ETU	0.015	0.40	--	--	0.700	17.80	
ETV	0.024	0.60	--	--	0.700	17.80	

KNIFE		A		B		C	
Model	IN.	MM	IN.	MM	IN.	MM	MM
ETKN	0.180	4.57	0.064	1.63	0.625	15.90	

XT SERIES TIPS

XT SERIES TIPS FOR THE WP120 SOLDERING PENCIL.
TINNED WITH LEAD FREE SOLDER.

Tips	Order #	Description
	0054470199	XTAL, .063" x 1.543" / 1.6 mm x 39.2 mm Reach Chisel Tip
	0054470299	XTM, .126" x 1.543" / 3.2 mm x 39.2 mm Reach Chisel Tip
	0054470399	XTA, .063" x 1.420" / 1.6 mm x 36.1 mm Reach Chisel Tip
	0054470499	XTB, .094" x 1.420" / 2.4 mm x 36.1 mm Reach Chisel Tip
	0054470599	XTC, .126" x 1.420" / 3.2 mm x 36.1 mm Reach Chisel Tip
	0054470699	XTD, .181" x 1.360" / 4.6 mm x 34.5 mm Reach Chisel Tip
	0054470799	XTE, .232" x 1.360" / 5.9 mm x 34.5 mm Reach Chisel Tip
	0054470899	XTAA, .063" x 1.437" / 1.6 mm x 36.5 mm Reach, Round Angled Tip
	0054470999	XTBB, .094" x 1.437" / 2.4 mm x 36.5 mm Reach, Round Angled Tip
	0054471099	XTCC, .126" x 1.437" / 3.2 mm x 36.5 mm Reach, Round Angled Tip
	0054471199	XTKN, .079" x 1.772" / 2.0 mm x 45 mm Reach, Knife Tip
	0054471299	XTGW, .090/.126" x 1.437" / 2.0 mm x 45 mm Reach Gull Wing Tip
	0054471399	XTH, .016/.031" x 1.437" 0.4 mm / 0.8 mm x 36.5 mm Reach, Chisel
	0054471499	XTO, .039" x 1.437" / 1.0 mm x 36.5 mm Reach, Long Conical Tip
	0054471599	XTBS, .094" x 1.437" / 2.4 mm x 36.5 mm Reach, Round Tip
	0054471699	XTCS, .126" x 1.437" / 3.2 mm x 36.5 mm Reach, Round Tip
	0054471799	XTDS, .181" x 1.437" / 4.6 mm x 36.5 mm Reach, Round Tip
	0054471899	XTF, .047" x 1.437" / 1.2 mm x 36.5 mm Reach, Round Angled Tip